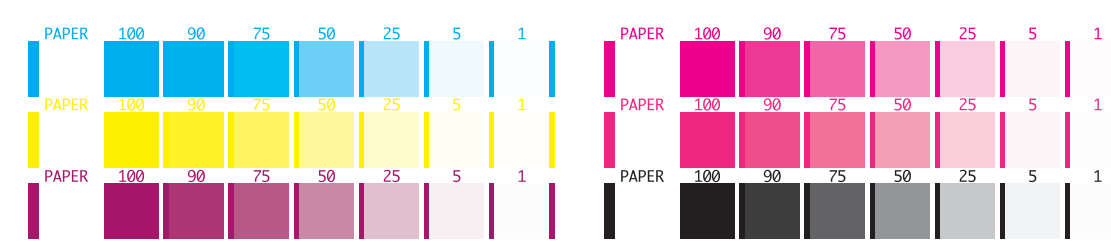
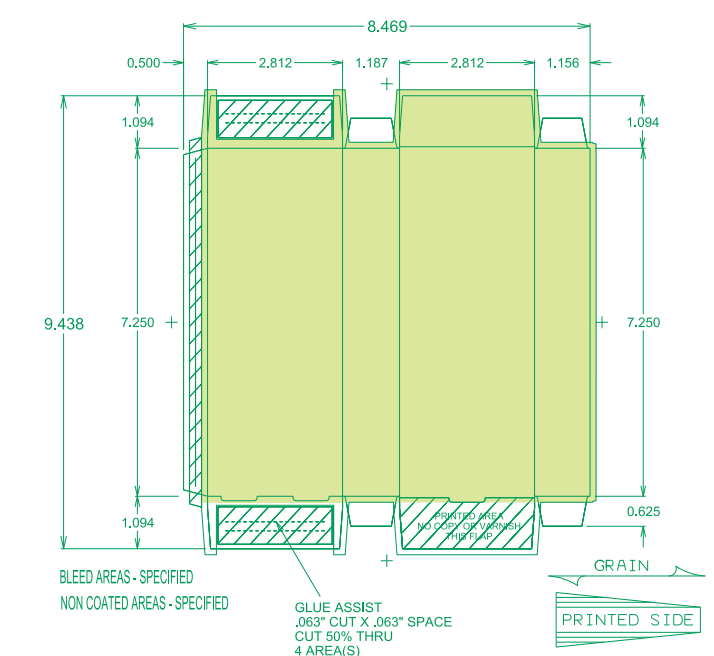


		MECHANICAL ROUND: 6	
		JOB INFORMATION	
JOB DESCRIPTION: First Response Early Result 1ct Ctn - US BRAND: First Response FRONT MATERIAL #: 72029688 BACK MATERIAL #: FRONT COPY CODE #: FRFC-02014-05 BACK COPY CODE #: UPC #: 022600020141 IP #: IP102196 JOB SIZE: 1ct LAST REVISION DATE: 07/29/2024 PRINT PROCESS: Offset PRINTER: GPI, Pineville, NC PRINTER DIE #: 59124A2 SUBSTRATE: SBS Board		FRONT COLORS Cyan Magenta Yellow PANTONE 213 C PANTONE 227 C Black UV Soft Touch	
SMART ART PRODUCTION ART INFORMATION PROJECT #: 2246421 Wave_1 SKU JOB #: 2246425 CONTACT: Deb Lengyel E-MAIL: deb.lengyel@olberdingbrands.com		BACK COLORS [Color Selection Grid]	
Church & Dwight Co., Inc. 500 Charles Ewing Boulevard Ewing, NJ 08628 800.833.9532		NON-PRINTING COLORS Substrate Color (Front) Substrate Color (Back) Product Color	
C&D COLOR APPROVAL C&D CONTENT APPROVAL			
<small> DO NOT PLATE, ENGRAVE, OR PROCEED TO PRESS WITH THIS FILE WITHOUT PROPER INSPECTION All files and proofs must be thoroughly inspected by the recipient immediately upon receipt. It is the responsibility of the recipient to examine and proofread all files and proofs. In the event file(s) and/or proof(s) are found to be incorrect upon inspection, call 813-281-0999 and ask for the separation contact. The liability of Olberding Brand Family shall be limited to correcting and replacing the materials that we supplied that were found to be defective. Olberding Brand Family will not be liable for any other loss or damage including, but not limited to, cost of printing plates that we did not make, print cylinders, inks, substrates/printed materials, and/or make ready and press time. </small>			



APPROVED
By Traci Downing at 4:22 pm, Aug 08, 2024

LO RES - NOT FOR PRINT



BLEED AREAS - SPECIFIED
NON COATED AREAS - SPECIFIED

GLUE ASSIST
.063" CUT X .063" SPACE
CUT 50% THRU
4 AREA(S)

GRAIN
PRINTED SIDE

SOFT TOUCH VARNISH

Olberding
BRAND FAMILY

MECHANICAL ROUND: 6

JOB INFORMATION
JOB DESCRIPTION: First Response Early Result 2ct Ctn - US

SMART ART PRODUCTION ART INFORMATION
BRAND: First Response
PROJECT #: 2246421 Wave_1
SKU JOB #: 2246428
CONTACT: Deb Lengyel
E-MAIL: deb.lengyel@olberdingbrands.com

FRONT MATERIAL #: 72029689
FRONT COPY CODE #: FRFC-90125-44
UPC #: 022600901259
JOB SIZE: 2ct
PRINT PROCESS: Offset
PRINTER: GPI, Pineville, NC
PRINTING DIE #: 59124A2
SUBSTRATE: SBS Board

BACK MATERIAL #:
BACK COPY CODE #:
IP #: IP102196
LAST REVISION DATE: 07/29/2024

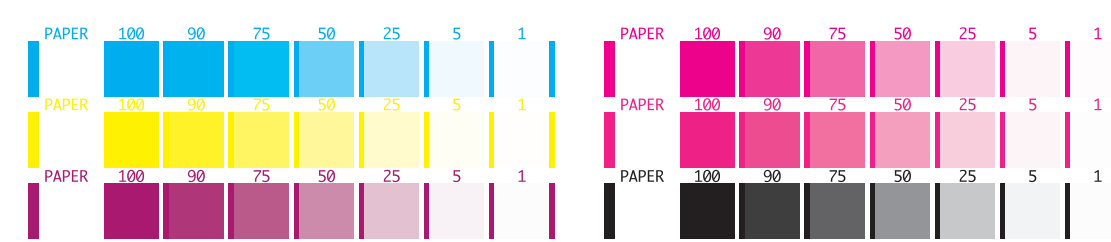
C&D COLOR APPROVAL
C&D CONTENT APPROVAL

FRONT COLORS
Cyan Magenta Yellow PANTONE 213 C PANTONE 227 C Black
UV Soft Touch

BACK COLORS

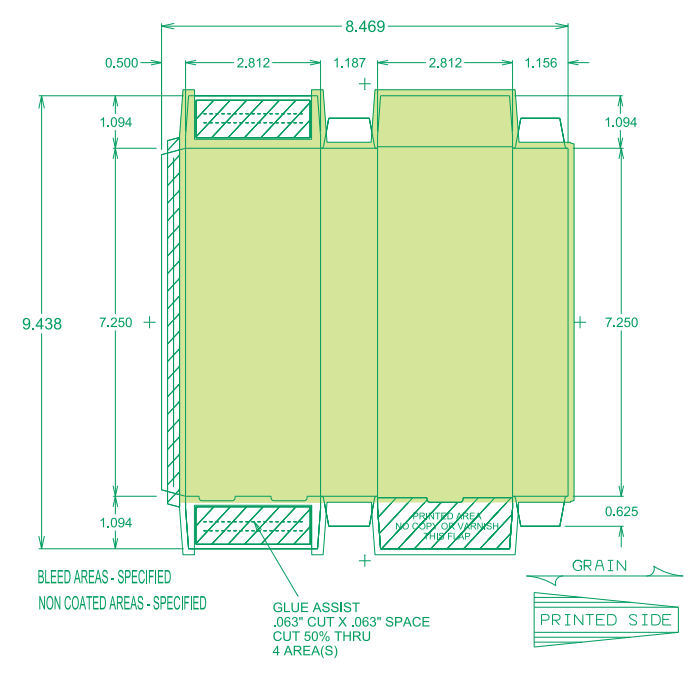
NON-PRINTING COLORS
Substrate Color (Front) Substrate Color (Back) Product Color

DO NOT PLATE, ENGRAVE, OR PROCEED TO PRESS WITH THIS FILE WITHOUT PROPER INSPECTION
All files and proofs must be thoroughly inspected by the recipient immediately upon receipt. It is the responsibility of the recipient to examine and proofread all files and proofs. In the event file(s) and/or proof(s) are found to be incorrect upon inspection, call 913-281-0999 and ask for the separation contact. The liability of Olberding Brand Family shall be limited to correcting and replacing the materials that we supplied that were found to be defective. Olberding Brand Family will not be liable for any other loss or damage including, but not limited to, cost of printing plates that we did not make, print cylinders, inks, substrates/printed materials, and/or make ready and press time.



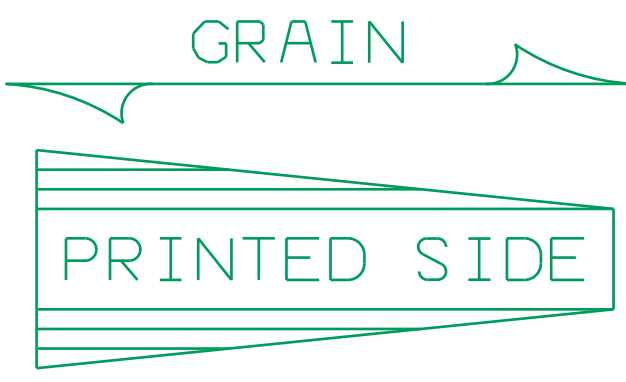
APPROVED
By Traci Downing at 4:21 pm, Aug 08, 2024

LO RES - NOT FOR PRINT

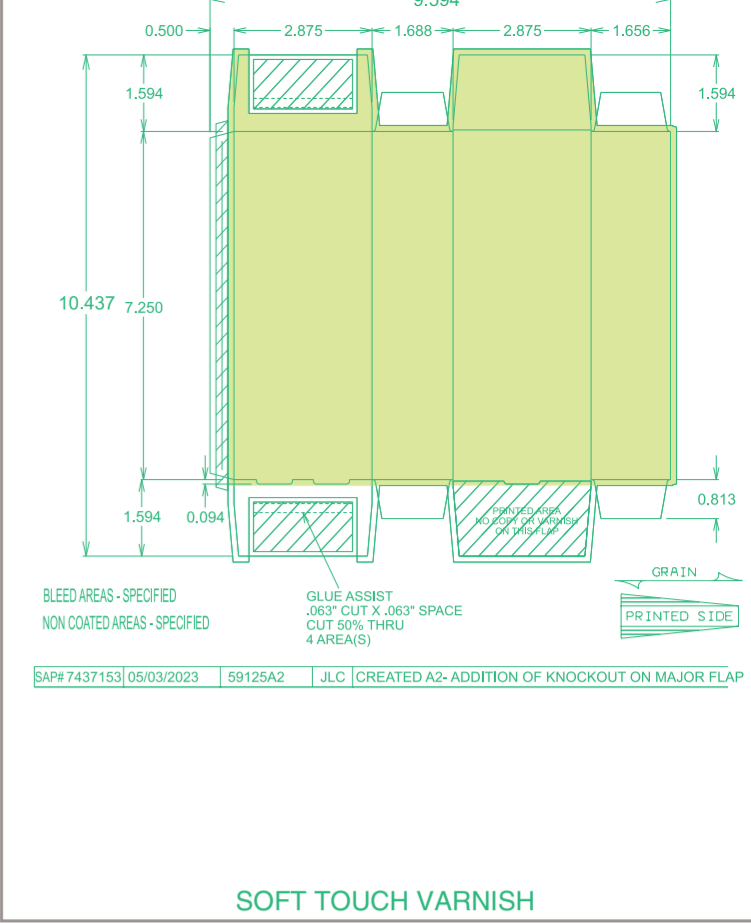
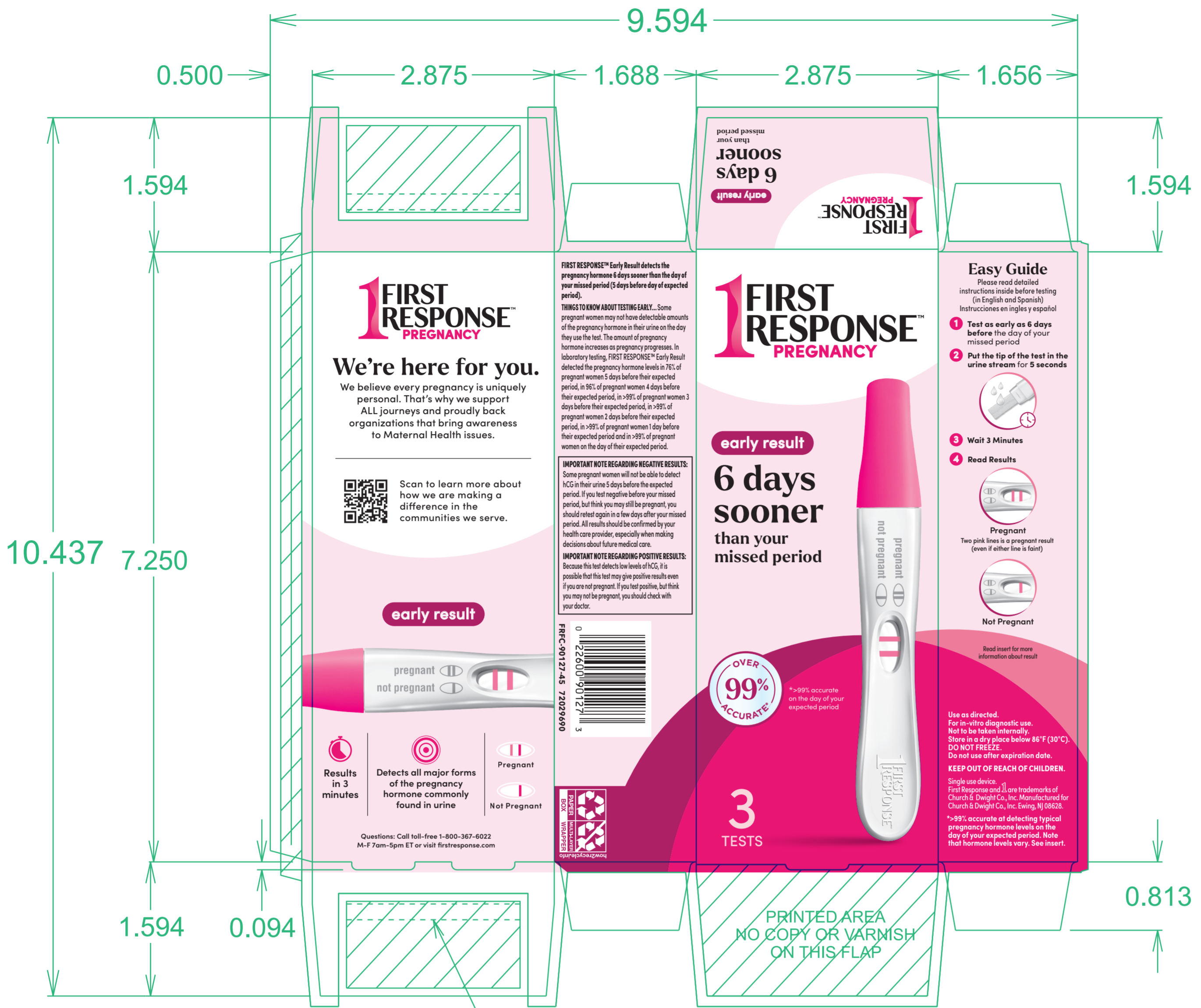


BLEED AREAS - SPECIFIED
NON COATED AREAS - SPECIFIED

GLUE ASSIST
.063" CUT X .063" SPACE
CUT 50% THRU
4 AREA(S)



SOFT TOUCH VARNISH



SOFT TOUCH VARNISH

BLEED AREAS - SPECIFIED
NON COATED AREAS - SPECIFIED

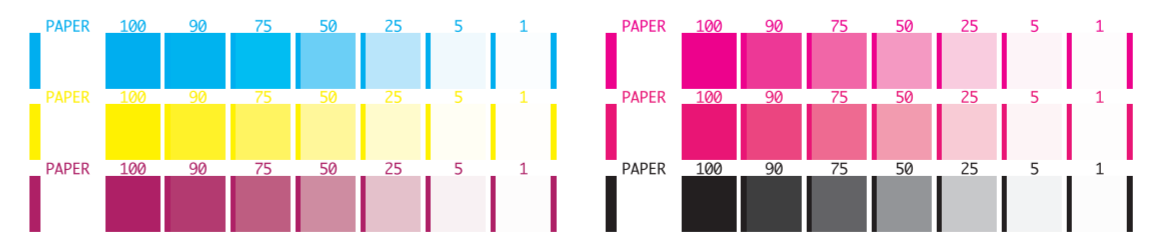
GLUE ASSIST
.063" CUT X .063" SPACE
CUT 50% THRU
4 AREA(S)



SAP# 7437153 05/03/2023 59125A2 JLC CREATED A2- ADDITION OF KNOCKOUT ON MAJOR FLAP

APPROVED
By Traci Downing at 4:20 pm, Aug 08, 2024

LO RES - NOT FOR PRINT



	MECHANICAL ROUND: 6	
	JOB INFORMATION JOB DESCRIPTION: First Response Early Result 3ct Ctn - US	
SMART ART PRODUCTION ART INFORMATION PROJECT #: 2246421 Wave_1 SKU JOB #: 2246429 CONTACT: Deb Lengyel E-MAIL: deb.lengyel@olberdingbrands.com	BRAND: First Response FRONT MATERIAL #: 72029690 BACK MATERIAL #: FRONT COPY CODE #: FRFC-90127-45 BACK COPY CODE #: UPC #: 022600901273 IP #: IP102197 JOB SIZE: 3ct LAST REVISION DATE: 07/29/2024 PRINT PROCESS: Offset PRINTER: GPI, Pineville, NC PRINTER DIE #: 59125A2 SUBSTRATE: SBS Board	
Church & Dwight Co., Inc. 500 Charles Ewing Boulevard Ewing, NJ 08628 800.833.9532	C&D COLOR APPROVAL C&D CONTENT APPROVAL	FRONT COLORS Cyan Magenta Yellow PANTONE 213 C PANTONE 227 C Black UV Soft Touch
BACK COLORS		
NON-PRINTING COLORS Substrate Color (Front) Substrate Color (Back) Product Color		
<small> DO NOT PLATE ENGRAVE. DO NOT PROCEED TO PRESS WITH THIS FILE WITHOUT PROPER INSPECTION. All files and proofs must be thoroughly inspected by the recipient immediately upon receipt. It is the responsibility of the recipient to examine and proofread all files and proofs. In the event file(s) and/or proof(s) are found to be incorrect upon inspection, call 513-281-0999 and ask for the separation contact. The liability of Olberding Brand Family shall be limited to correcting and replacing the materials that we supplied that were found to be defective. Olberding Brand Family will not be liable for any other loss or damage including, but not limited to, cost of printing plates that we did not make, print cylinders, links, substrates/printed materials, and/or make ready and press time. </small>		